



XZ Series Horizontal Direction Drill

XZ120E | XZ150E | XZ200E | XZ230E | XZ280E | XZ320D | XZ320E | XZ360E | XZ430E | XZ450+



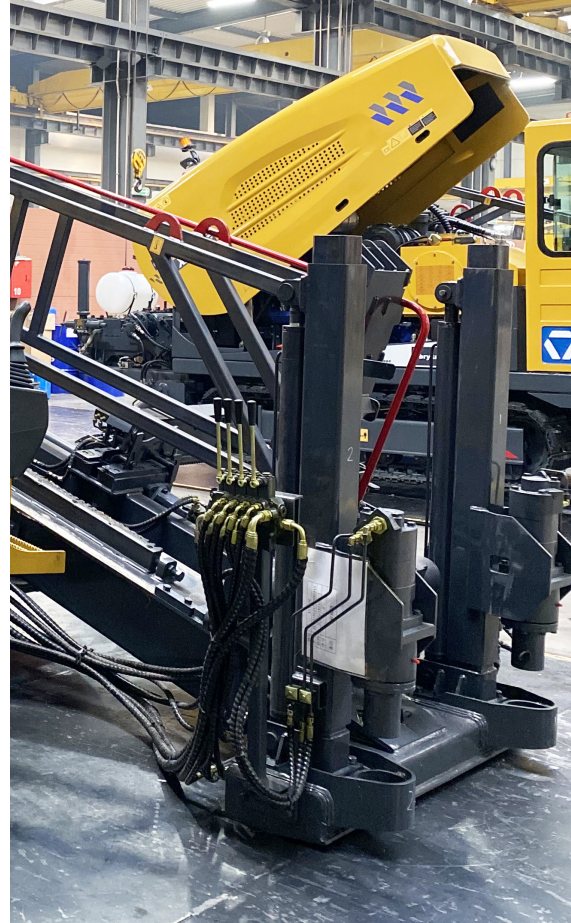
XCMG-Europa

XCMG-Europa is a subsidiary of the XCMG concern. Its main activity is the production, distribution and professional service of XCMG construction machinery, compliant with the requirements and standards of the European Union.

As a renowned manufacturer of construction machinery, we have a modern production facility with the total surface area of 4500 m² and 65000 m² of land located in the village of Kompina, Nieborów municipality in the Łódzkie Province (near the Warsaw-Poznań highway).

Our offer includes various types of road construction and agricultural machinery, such as loaders, graders, excavators and rollers. We sell construction machinery on preferential conditions, based on individual agreements with the Customer. We also provide second-hand machinery and a wide offer of machine spare parts.

XZ Series Horizontal Direction Drill



XCMG-EUROPA CONTACT DATA

Anyone interested in our range of construction machinery, sales of spare parts and repair services can contact the XCMG-Europa head office. The necessary contact information can be found below.

The distribution of XCMG machinery in Poland is handled by XCMG-Europa Trading Sp. z o.o.

XCMGEuropa Fabryka Maszyn

99-416 Nieborów, Kompina 116-118 woj. łódzkie

0 – 22 211 12 01 – head office and machine sales

0 – 22 211 12 03 – service

0 – 22 211 12 04 – spare parts

0 – 22 211 12 09 – fax

e-mail: info@xcmgeuropa.com

p a g e

XZ120E	5
XZ150E	6
XZ200E	7
XZ230E	8
XZ280E	9
XZ320D	10
XZ320E	11
XZ360E	12
XZ430E	13
XZ450+	14

HORIZONTAL DIRECTION DRILL



XCMG-Europe XZ series horizontal drilling rigs - new powerful HDD-type rigs designed for horizontal directional drilling. They are designed for the construction of technical infrastructure installations, power, gas, water and sewage systems in heavily urbanized areas.

Developed in response to the needs of the increasingly fast-growing market for trenchless drilling services.

XCMG-Europe drill rigs allow the installation of electrical, fiber optic or water and sewage networks without the need for costly excavation, bypassing all kinds of urban terrain obstacles such as roads, driveways, sidewalks, rivers, tracks and water reservoirs. With the purchase, we provide service and access to spare parts.

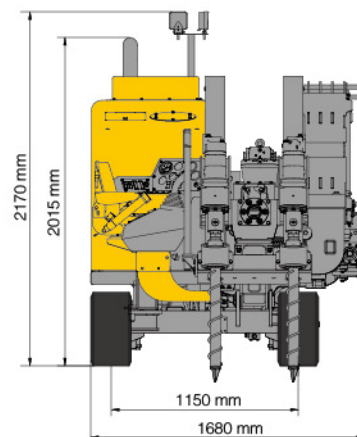
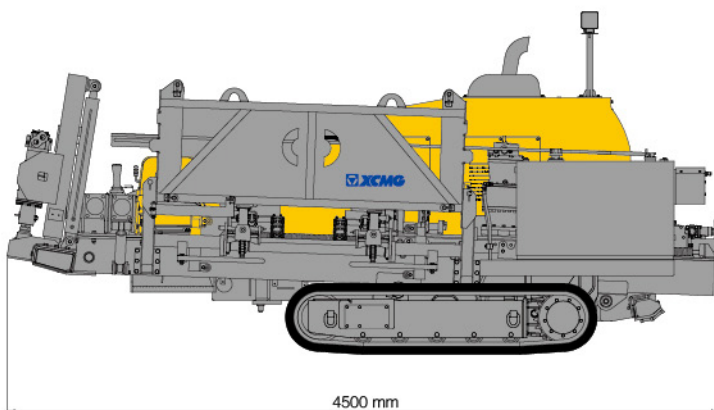


MAIN TECHNICAL PARAMETERS

Engine	Model	CUMMINS QSB3.0-110	CUMMINS QSB3.0-110
	Rated power	81 kW/2200 r/min	110 hp/220 rpm
Push-pull	Push/pull force	130 kN	29200 lbf
	Max. push/pull speed	37 m/min	121 ft/min
Rotation	Torque	3000 Nm	2200 ft·lb
	Max. rotation	220 r/min	220 rpm
Mud pump	Max. flow rate	100 L/min	26.4 US gal/min
	Max. pressure	4 MPa	580 psi
Drill pipe	Diameter x length	Φ52x1800mm	Φ2x71 in
Max. inclination angle		20°	20°
Max. back reaming diameter		Φ400mm	Φ15.8 in
Weight		4.5 t	5 ton (US)
Dimension (LxWxH)		4500x1680x2170mm	177x66x85 in
Chassis traveling speed		2.1 km/h	1.3 mph

Drilling Tools & Accessories

Back reamer	Squeezing & expanding type	φ 200mm / φ 300mm	φ 8 in / φ 12 in / φ 16 in
	Fluted type	φ 400mm	
Accessories	Sonde housing		
	Left-handed nut	52	52
	Pin pulling head		
	Box pulling head/Sub saver		
	Swivel	10 t	11 ton (US)
Mud system	Mud mixing system	2 m ³	70.6 cu ft



XZ150E

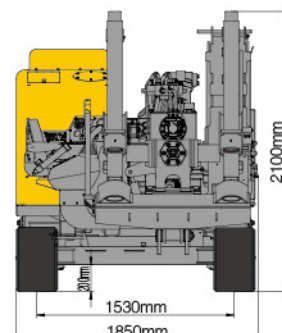
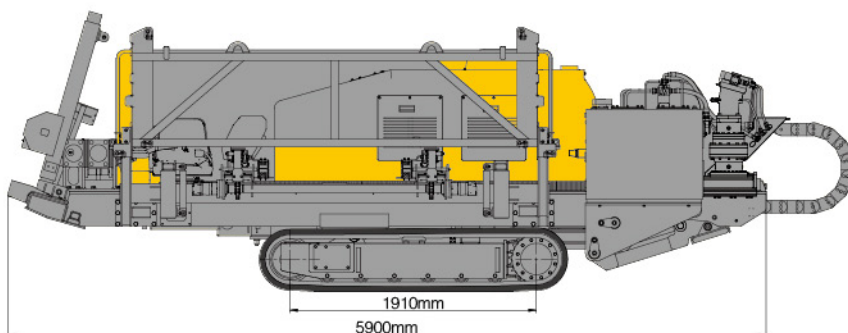


MAIN TECHNICAL PARAMETERS

Engine	Model	CUMMINS QSB3.9-C110	CUMMINS QSB3.9-C110
	Rated power	81 kW/2200 r/min	110 hp/2200 rpm
Push-pull	Push/pull force	165 kN	37000 lbf
	Max. push/pull speed	40 m/min	131 ft/min
Rotation	Torque	5400 Nm	3980 ft · lb
	Max. rotation speed	160 r/min	160 rpm
Mud pump	Max. flow rate	200 L/min	56 US gal/min
	Max. pressure	8 MPa	1160 psi
Drill pipe	Diameter x length	φ60x3000mm	φ2.4x18 in
Max. inclination angle		20°	20°
Max. back reaming diameter		φ500mm	φ19.7 in
Weight		7.5 t	8.3 ton (US)
Dimension (LxWxH)		5900x1850x2100mm	232x73x83 in
Chassis traveling speed		1.6 km/h	1.0 mph

Drilling Tools & Accessories

Back reamer	Squeezing & expanding type	φ200mm / φ300mm	φ8 in / φ12 in / φ16 in / φ20 in
	Fluted type	φ400mm / φ500mm	
Accessories	Sande housing/Starter rod/ Drill plate/Torque sleeve/ Left-handed nut/Pin pulling head/Box pulling head/ Sub saver	60	60
	Swivel	20 t	13.2 ton (US)
Mud system	Mud mixing system	2 m ³ /3 m ³	70.6/105.9 cu ft





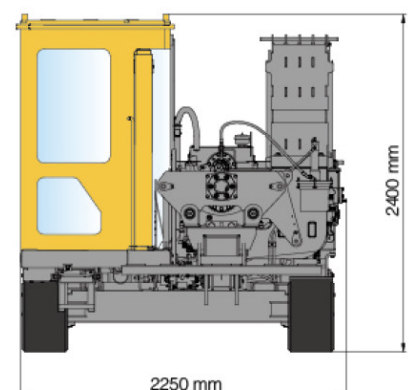
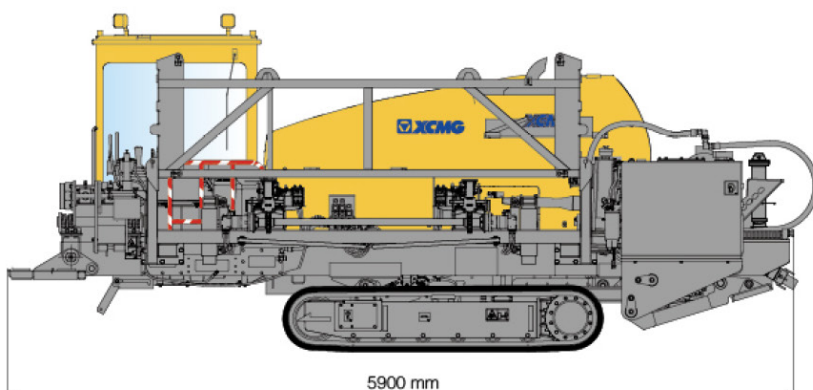
HORIZONTAL DIRECTION DRILL XZ200E

MAIN TECHNICAL PARAMETERS

Engine	Model	CUMMINS QSB5.9-C150	CUMMINS QSB5.9-C150
	Rated power	113 kW/2200 r/min	150 hp/220 rpm
Push-pull	Push/pull force	225 kN	50580 lbf
	Max. push/pull speed	32m/min	105 ft/min
Rotation	Torque	63500 Nm	4580 ft·lb
	Max. rotation speed	160 r/min	160 rpm
Mud pump	Max. flow rate	250 L/min	66 US gal/min
	Max. pressure	8 MPa	1160 psi
Drill pipe	Diameter x length	φ60x3000mm	φ2.4x118 in
Max. inclination angle		22°	22°
Max. back reaming diameter		φ600mm	φ23.6 in
Weight		8.5 t	9.4 ton (US)
Dimension (LxWxH)		5900x2250x2400mm	232.3x88.6x95 in
Chassis traveling speed		2.2 km/h	1.4 mph

Drilling Tools & Accessories

Back reamer	Squeezing & expanding type	φ200mm / φ300mm φ400mm / φ500mm	φ8 in / φ12 in / φ16 in / φ20 in φ24 in
	Fluted type	φ600mm	
Accessories	Sande housing/Starter rod/ Drill plate/Torque sleeve/ Left-handed nut/Pin pulling head/Box pulling head/ Sub saver	60	60
	Swivel	20 t	13.2 ton (US)
Mud system	Mud mixing system	2 m ³ /3 m ³	70.6/105.9 cu ft



XZ230E

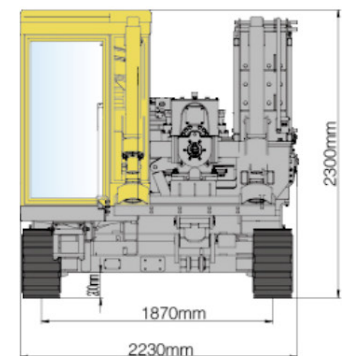
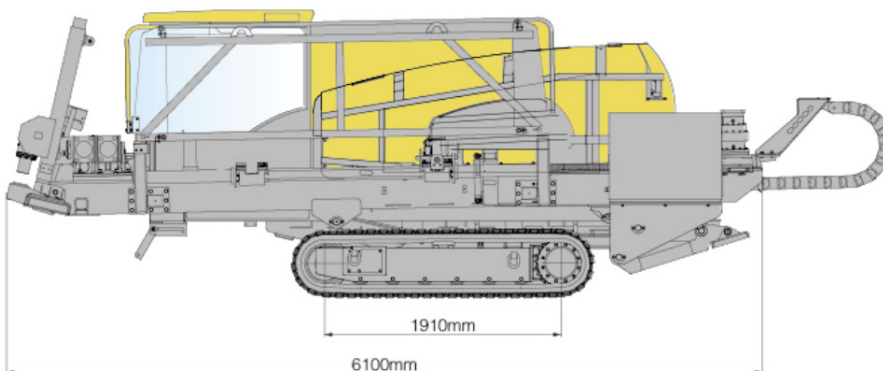


MAIN TECHNICAL PARAMETERS

Engine	Model	CUMMINS QSB3.9-C150	CUMMINS QSB3.9-C150
	Rated power	113 kW/2200 r/min	150 hp/2200 rpm
Push-pull	Push/pull force	230/270 kN	51700/60700 lbf
	Max. push/pull speed	55 m/min	180 ft/min
Rotation	Torque	6500 Nm	4794 ft·lb
	Max. rotation speed	175 r/min	175 rpm
Mud pump	Max. flow rate	250 L/min	66 US gal/min
	Max. pressure	8 MPa	1160 psi
Drill pipe	Diameter x length	φ60x3000mm	φ2.4x18 in
Max. inclination angle		24°	24°
Max. back reaming diameter		φ600mm	φ23.6 in
Weight		8.5 t	9.4 ton (US)
Dimension (LxWxH)		6100x2230x2300mm	240x88x91 in
Chassis traveling speed		2.4 km/h	1.5 mph

Drilling Tools & Accessories

Back reamer	Squeezing & expanding type	φ 200mm / φ 300mm	φ 8 in / φ 12 in / φ 16 in / φ 20 in
	Fluted type	φ 400mm / φ 500mm φ 600mm	φ 24 in
Accessories	Sande housing/Starter rod/ Drill plate/Torque sleeve/ Left-handed nut/Pin pulling head/Box pulling head/ Sub saver	60	60
	Swivel	20 t	13.2 ton (US)
Mud system	Mud mixing system	2 m ³ /3 m ³	70.6/105.9 cu ft



XZ280E

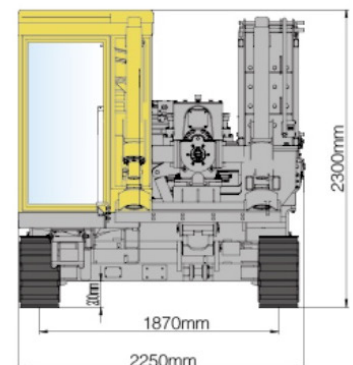
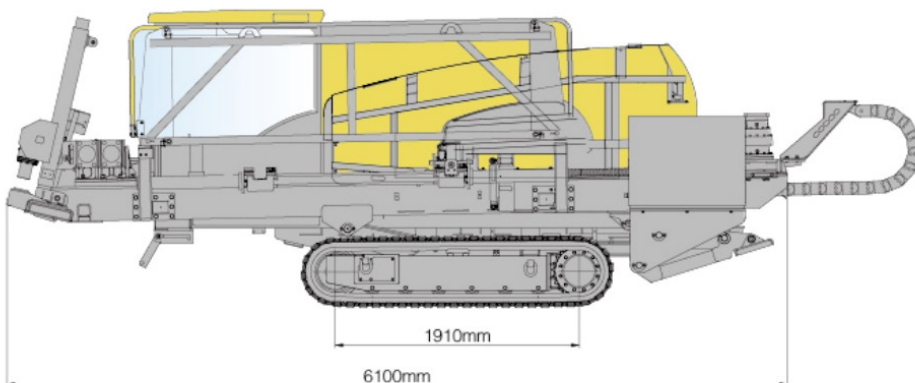


MAIN TECHNICAL PARAMETERS

Engine	Model	CUMMINS QSB5.9-C180	CUMMINS QSB5.9-C180
	Rated power	133 kW/2200 r/min	180 hp/2200 rpm
Push-pull	Push/pull force	280/320 kN	62950/71940 lbf
	Max. push/pull speed	50 m/min	164 ft/min
Rotation	Torque	9000 Nm	6638 ft · lb
	Max. rotation speed	160 r/min	160 rpm
Mud pump	Max. flow rate	250 L/min	66 US gal/min
	Max. pressure	8 MPa	1160 psi
Drill pipe	Diameter x length	φ473x3000mm	φ18.6x118 in
Max. inclination angle		24°	24°
Max. back reaming diameter		φ700mm	φ27.5 in
Weight		8.5 t	9.4 ton (US)
Dimension (LxWxH)		6100x2230x2300mm	240x88x91 in
Chassis traveling speed		2.4 km/h	1.5 mph

Drilling Tools & Accessories

Back reamer	Squeezing & expanding type	φ 200mm / φ 300mm φ 400mm / φ 500mm φ 600mm / φ 700mm	φ 8 in / φ 12 in / φ 16 in / φ 20 in φ 24 in / φ 28 in
	Fluted type		
Accessories	Sande housing/Starter rod/ Drill plate/Torque sleeve/ Left-handed nut/Pin pulling head/Box pulling head/ Sub saver	73	73
	Swivel	20 t	13.2 ton (US)
Mud system	Mud mixing system	2 m ³ /3 m ³	70.6/105.9 cu ft



XZ320D

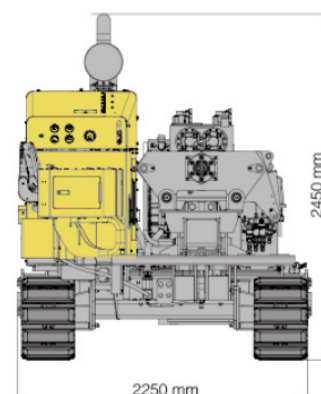
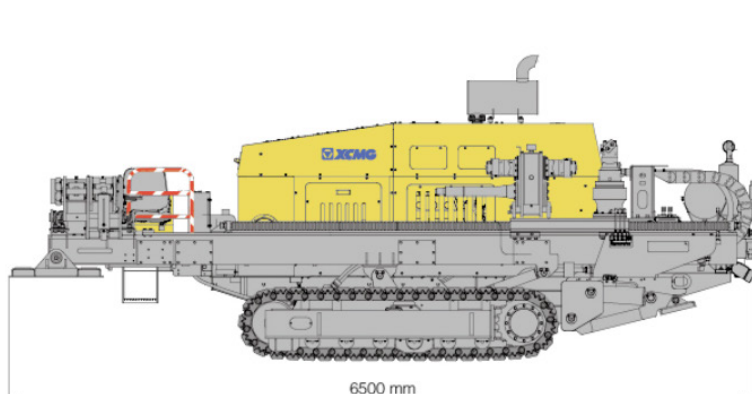


MAIN TECHNICAL PARAMETERS

Engine	Model	CUMMINS QSB5.9-C210	CUMMINS QSB5.9-C210
	Rated power	154 kW/2200 r/min	210 hp/2200 rpm
Push-pull	Push/pull force	320 kN	71940 lbf
	Max. push/pull speed	22 m/min	72 ft/min
Rotation	Torque	12000 Nm	8850 ft·lb
	Max. rotation speed	140 r/min	140 rpm
Mud pump	Max. flow rate	320 L/min	84.5 US gal/min
	Max. pressure	8 MPa	1160 psi
Drill pipe	Diameter x length	φ73x3000mm	φ2.87x118 in
Max. inclination angle		20°	20°
Max. back reaming diameter		φ800mm	φ31.5 in
Weight		10 t	11 ton (US)
Dimension (LxWxH)		6500x2250x2300mm	255.9x88.6x96.5 in
Chassis traveling speed		2.8 km/h	1.7 mph

Drilling Tools & Accessories

Back reamer	Squeezing & expanding type	φ 200mm / φ 300mm	φ 8 in / φ 12 in / φ 16 in / φ 20 in
	Fluted type	φ 400mm / φ 500mm φ 600mm / φ 800mm	φ 24 in / φ 28 in / φ 32 in
Accessories	Sande housing/Starter rod/ Drill plate/Torque sleeve/ Left-handed nut/Pin pulling head/Box pulling head/ Sub saver	73	73
	Swivel	35 t	38.6 ton (US)
Mud system	Mud mixing system	2 m ³ /3 m ³	70.6/105.9 cu ft



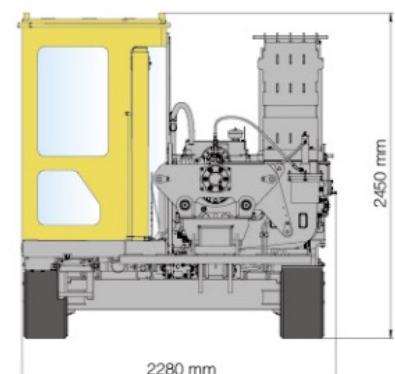
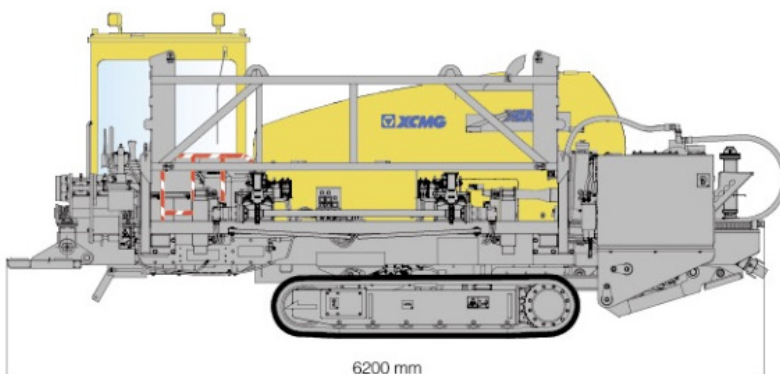


MAIN TECHNICAL PARAMETERS

Engine	Model	CUMMINS QSB5.9-C210	CUMMINS QSB5.9-C210
	Rated power	154 kW/2200 r/min	210 hp/2200 rpm
Push-pull	Push/pull force	345 kN	77560 lbf
	Max. push/pull speed	38 m/min	125 ft/min
Rotation	Torque	12600 Nm	9290 ft·lb
	Max. rotation speed	140 r/min	140 rpm
Mud pump	Max. flow rate	320 L/min	84.5 US gal/min
	Max. pressure	8 MPa	1160 psi
Drill pipe	Diameter x length	φ73x3000mm	φ2.87x118 in
Max. inclination angle		20°	20°
Max. back reaming diameter		φ800mm	φ31.5 in
Weight		10 t	11 ton (US)
Dimension (LxWxH)		6200x2280x2450mm	244.1x90x96.5 in
Chassis traveling speed		2.6 km/h	1.6 mph

Drilling Tools & Accessories

Back reamer	Squeezing & expanding type	φ200mm / φ300mm	φ8 in / φ12 in / φ16 in / φ20 in
	Fluted type	φ400mm / φ500mm φ600mm / φ800mm	φ24 in / φ28 in / φ32 in
Accessories	Sande housing/Starter rod/ Drill plate/Torque sleeve/ Left-handed nut/Pin pulling head/Box pulling head/ Sub saver	73	73
	Swivel	35 t	38.6 ton (US)
Mud system	Mud mixing system	2 m ³ /3 m ³	70.6/105.9 cu ft



XZ360E

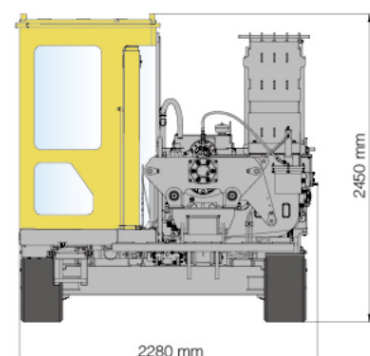
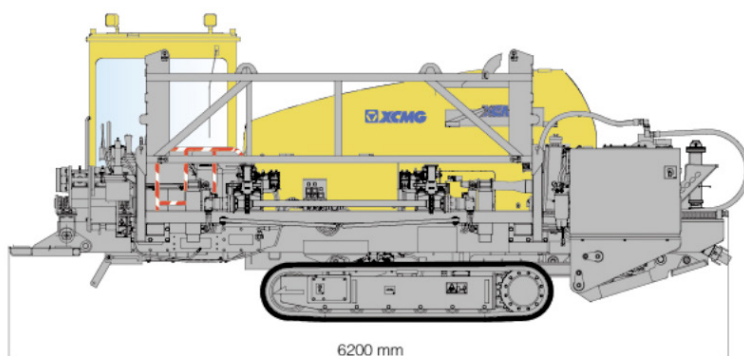


MAIN TECHNICAL PARAMETERS

Engine	Model	CUMMINS QSB5.9-C210	CUMMINS QSB5.9-C210
	Rated power	154 kW/2200 r/min	210 hp/2200 rpm
Push-pull	Push/pull force	370 kN	83180 lbf
	Max. push/pull speed	32 m/min	105 ft/min
Rotation	Torque	13200 Nm	9735 ft ·lb
	Max. rotation speed	140 r/min	140 rpm
Mud pump	Max. flow rate	400 L/min	105.7 US gal/min
	Max. pressure	8 MPa	1160 psi
Drill pipe	Diameter x length	φ73x3000mm	φ2.87x118 in
Max. inclination angle		20°	20°
Max. back reaming diameter		φ900mm	φ35.4 in
Weight		10.5 t	11.6 ton (US)
Dimension (LxWxH)		6200x2280x2450mm	244.1x90x96.5 in
Chassis traveling speed		2.6 km/h	1.6 mph

Drilling Tools & Accessories

Back reamer	Squeezing & expanding type	φ 200mm / φ 300mm φ 400mm / φ 500mm	φ 8 in / φ 12 in / φ 16 in / φ 20 in
	Fluted type	φ 600mm / φ 800mm φ 900mm	φ 24 in / φ 28 in / 32 in / φ 36 in
Accessories	Sonde housing/Starter rod/ Drill plate/Torque sleeve/ Left-handed nut/Pin pulling head/Box pulling head/ Sub saver	73/83	73/83
	Swivel	40 t	44.1 ton (US)
Mud system	Mud mixing system	2 m ³ /3 m ³	70.6/105.9 cu ft



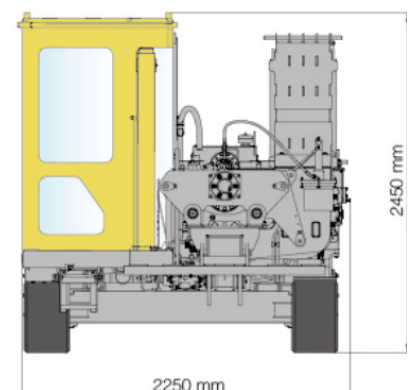
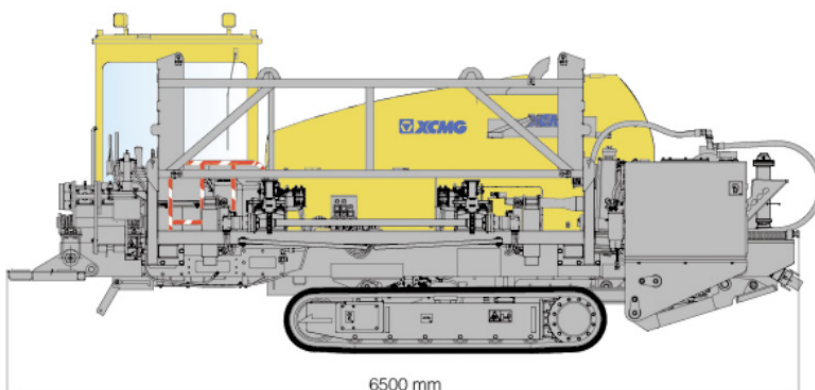


MAIN TECHNICAL PARAMETERS

		DONGFENG CUMMINS 6CTAA8.3-C240/QSC8.3-C240	
Engine	Model		
	Rated power	179 kW/2200 r/min	240 hp/2200 rpm
Push-pull	Push/pull force	430/520 kN	96670/116900 lbf
	Max. push/pull speed	48 m/min	157 ft/min
Rotation	Torque	18500 Nm	13644 ft·lb
	Max. rotation speed	175 r/min	175 rpm
Mud pump	Max. flow rate	450 L/min	118.9 US gal/min
	Max. pressure	8 MPa	1160 psi
Drill pipe	Diameter x length	φ83x3000mm	φ3.27x118 in
Max. inclination angle		24°	24°
Max. back reaming diameter		φ900mm	φ35.4 in
Weight		12 t	13.2 ton (US)
Dimension (LxWxH)		6500x2250x2450mm	255.9x88.6x96.5 in
Chassis traveling speed		2.6 km/h	1.6 mph

Drilling Tools & Accessories

Back reamer		φ200mm / φ300mm	φ8 in / φ12 in / φ16 in / φ20 in
	Squeezing & expanding type	φ400mm / φ500mm	φ24 in / φ28 in / φ32 in / φ36 in
	Fluted type	φ600mm / φ800mm φ900mm	
Accessories	Sande housing/Starter rod/ Drill plate/Torque sleeve/ Left-handed nut/Pin pulling head/Box pulling head/ Sub saver	73	73
	Swivel	50 t	55 ton (US)
Mud system	Mud mixing system	2 m ³ /3 m ³	70.6/105.9 cu ft



XZ450/450+

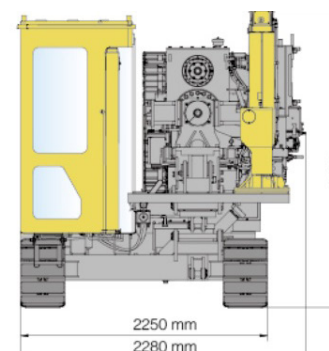
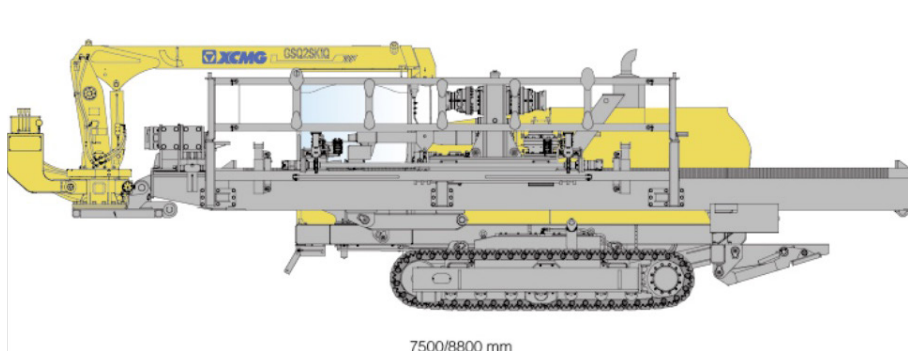


MAIN TECHNICAL PARAMETERS

Engine	Model	CUMMINS QSC8.3-C260	CUMMINS QSC8.3-C260
	Rated power	194 kW/2200 r/min	260 hp/2200 rpm
Push-pull	Push/pull force	480/960 kN	107909/215808 lbf
	Max. push/pull speed	42/40 m/min	138/313 ft/min
Rotation	Torque	27000 Nm	19915 ft·lb
	Max. rotation speed	135 r/min	135 rpm
Mud pump	Max. flow rate	600 L/min	158.5 US gal/min
	Max. pressure	10 MPa	1450 psi
Drill pipe	Diameter x length	φ73x3000mm	φ2.87x118 in
Max. inclination angle		20°	20°
Max. back reaming diameter		φ1000mm	φ40 in
Weight		13.3 t	14.7 ton (US)
Dimension (LxWxH)		7500/8800x2280x2610mm	296/346.5x89.8x85 in
Chassis traveling speed		2 km/h	1.2 mph

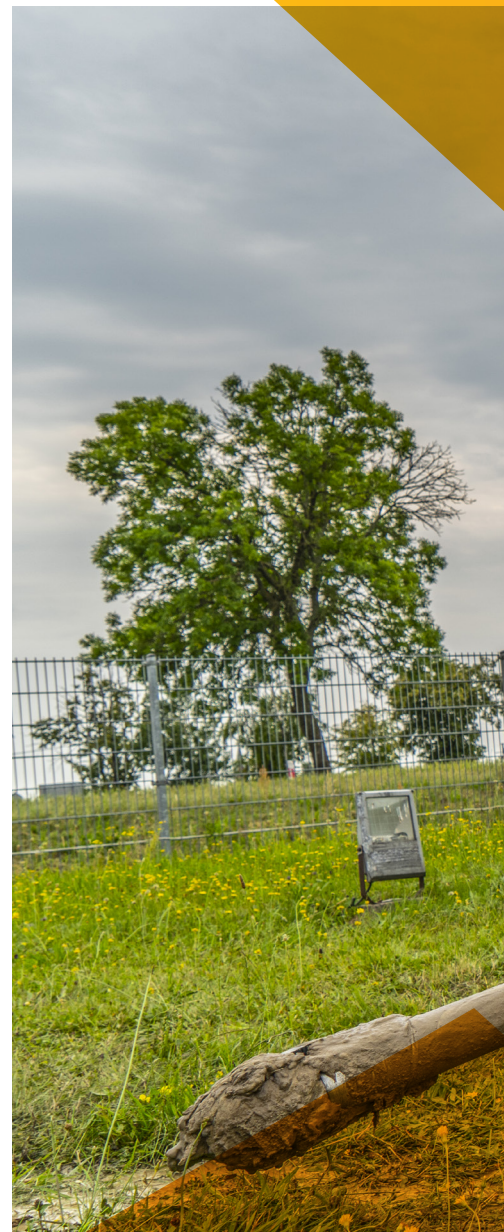
Drilling Tools & Accessories

Back reamer	Squeezing & expanding type	φ200mm / φ300mm φ400mm / φ500mm φ600mm / φ800mm φ900mm / φ1000mm	φ8 in / φ12 in / φ16 in / φ20 in φ24 in / φ28 in / 32 in / φ36 in
	Fluted type		
Accessories	Sande housing/ Drill plate/Pin pulling head/Box pulling head/ Sub saver	89	89
	Swivel	60/80 t	66.1/88.2 ton (US)
Mud system	Mud mixing system	5 m ³	176.6 cu ft





XCMG-Europa



Fabryka Maszyn XCMG – Europa Sp. z o.o.
99-416 Nieborów, Kompina 118 POLAND

contact: 0048 22 211 12 01
e-mail: info@xcmgeuropa.com